

Cuisinart™

INSTRUCTION BOOKLET



Cuisinart® Theatre-Style Popcorn Maker

CPM-28C

For your safety and continued enjoyment of this product,
always read the instruction book carefully before using.

CONTENTS

Important Safeguards	2
Power Cord Instructions	4
Parts	5
Before First Use	6
Assembly Procedure	6
Popping Instructions	8
Cleaning & Maintenance	9

IMPORTANT SAFEGUARDS

When using any electrical appliance, basic safety precautions should always be taken, including the following:

1. **READ ALL INSTRUCTIONS BEFORE USING YOUR POPCORN MAKER.**
2. **UNPLUG MAIN POWER CORD FROM OUTLET WHILE NOT IN USE AND BEFORE CLEANING.**
3. **The use of accessory attachments not recommended by Waring may cause injuries.**
4. **KEEP OUT OF REACH OF CHILDREN.** Close supervision is necessary when this appliance is used by or near children.
5. Do not allow cord to hang over any edge where a child can reach it. Arrange cord to avoid pulling, tripping or entanglement.

6. To avoid any risk of electrical shock, do not immerse cord or plug into water or other liquids.
7. Do not operate the appliance with damaged cord or plug, or after the appliance malfunctions or has been damaged in any matter. Send the unit to the nearest authorized service center for examination, repair or adjustment. (ONLY technicians should open up the unit.)
8. Extreme caution must be used when moving an appliance containing hot oil or other liquids. Allow hot parts to cool down before handling or moving the appliance.
9. Do not attempt to repair this appliance yourself.
10. Do not attempt to pop corn kernels without using oil.
11. Do not immerse popping kettle in water.
12. Kettle surface is HOT and should NOT be touched during popping or just after use.
13. Do not touch hot surfaces. Always use handles or knobs to operate.
14. This appliance should not be used by or near children or individuals with certain disabilities.
15. Allow HOT parts to cool down before maneuvering and cleaning.
16. Turn ALL switches to the OFF position before disconnecting power plug from the wall supply outlet.
17. Not recommended for outdoor use.

18. Do not use appliance for other than intended use.
19. To avoid overheating, always add oil and then kernels before operating.
20. Extreme caution must be used when unloading popcorn. Always place the unit over a countertop so that residual hot oil or water running out will not cause burns.
21. **DO NOT CLEAN USING ANY ABRASIVE MATERIAL.**
22. **NEVER FORCE ANY PARTS OR BRACKETS INTO POSITION.**
23. **CAUTION:** a burn can result from misuse of this product. Read popping instructions for proper procedure.
24. No parts are intended for the dishwasher.
25. If plugged into an outlet, the unit should not be left unattended.
26. Do not operate your appliance in an appliance garage or under a wall cabinet. **When storing in an appliance garage always unplug the unit from the electrical outlet.** Not doing so could create a risk of fire, especially if the appliance touches the walls of the garage or the door touches the unit as it closes.
27. Do not let cord hang over the edge of the table or counter, or touch hot surfaces.
28. Do not place on or near a hot gas or electric burner, or in a heated oven.

SAVE THESE INSTRUCTIONS FOR HOUSEHOLD USE ONLY

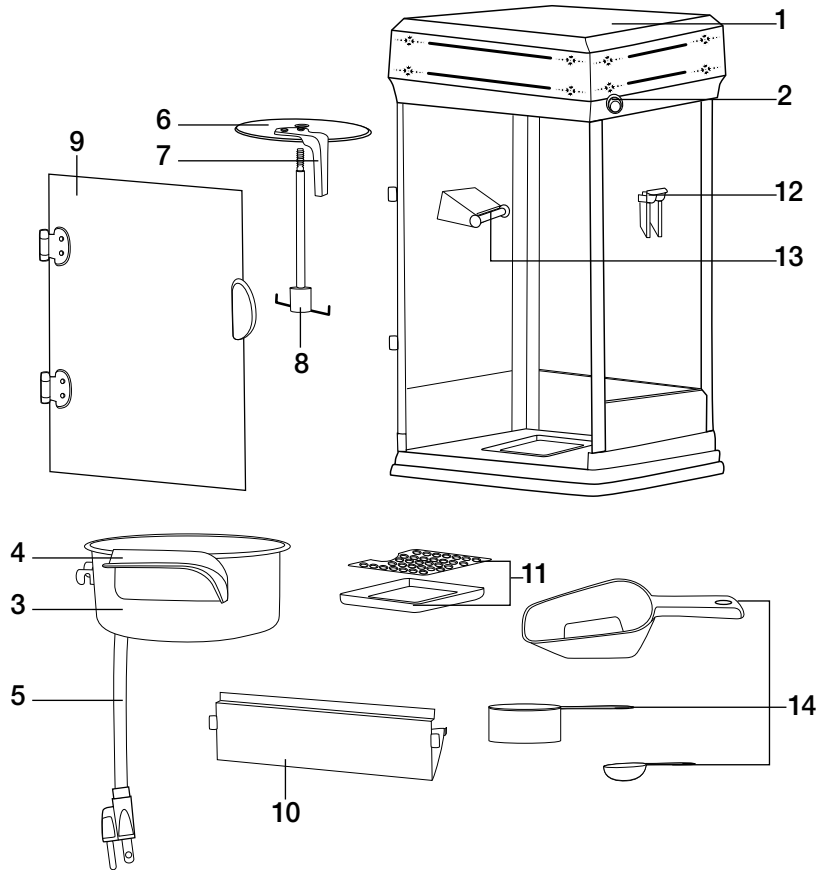
POWER CORD INSTRUCTIONS

1. A short power supply cord is provided to reduce the risk resulting from becoming entangled in or tripping over a longer cord.
2. Longer, detachable power supply cords or extension cords may be used if care is exercised in their use.
3. If a long detachable power supply cord or extension cord is used:
 - a. The marked electrical rating of an extension cord should be at least as great as the electrical rating of the appliance.
 - b. If the appliance is of the grounded type, the extension cord should be a grounding 3-wire cord.
 - c. The longer cord should be arranged so that it will not drape over the countertop or tabletop where it can be pulled on by children or tripped over.

This appliance is for 120 volts only and should not be used with a converter.

PARTS

- | | |
|---------------------------|--|
| 1. Housing | 11. Unpopped Kernel Catcher & Screen |
| 2. ON/OFF Switch | 12. Kettle Release Tab |
| 3. Kettle | 13. Kettle Hook |
| 4. Kettle Handle | 14. Accessories
– Oil Measuring Spoon –
1 tbsp.(15 ml)
– Kernel Measuring Cup –
¼ cup (60 ml)
– Popcorn Scoop |
| 5. Internal Kettle Plug | 15. Main Power Cord (not shown) |
| 6. Kettle Lid | |
| 7. Kettle Lid Handle | |
| 8. Kettle Stirrer | |
| 9. Door (removable) | |
| 10. Tilt Door (removable) | |



BEFORE FIRST USE

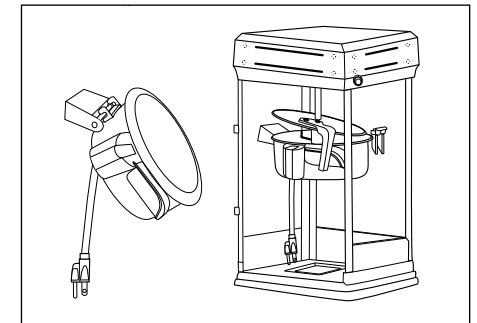
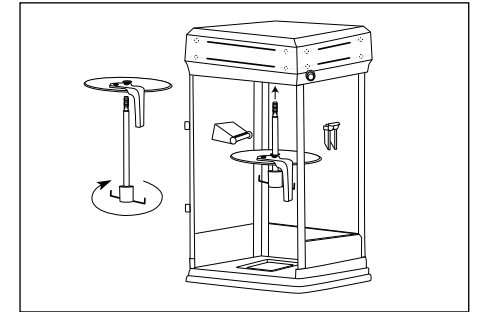
Make sure the popcorn maker is unplugged before you perform the following:

1. Check to be sure the voltage (120V – 60 Hz) is suitable to your home.

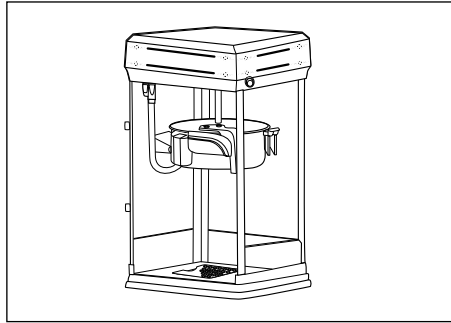
2. Clean the internal surface of the kettle with warm soapy water; rinse well and dry with a clean cloth. Wipe down inner and outer housing with a damp cloth. Be sure that all parts are completely dry before assembly.

ASSEMBLY PROCEDURE

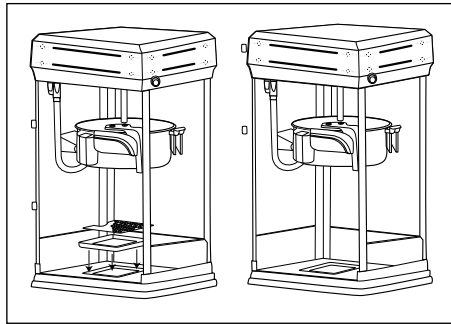
1. Run the kettle stirrer through the opening in the center of the kettle lid. Insert the top of the kettle stirrer into the top of the main housing and turn counterclockwise to secure in place.
2. Place the kettle onto the kettle hook on the left side of the main housing. Raise the kettle so that it rests on the top of the kettle release tab.



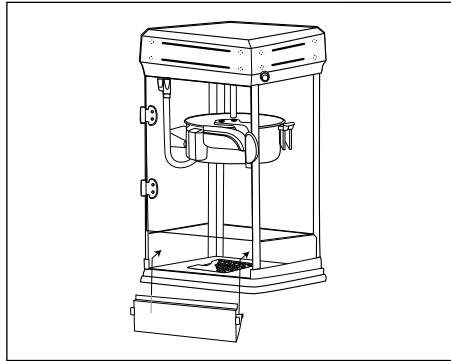
3. Insert the internal kettle plug into the socket on the top of the popcorn maker housing.



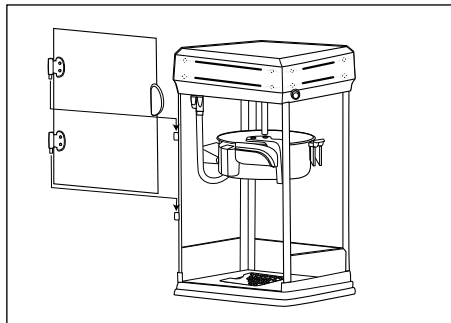
4. Insert the kernel catcher and screen at the bottom of the popcorn maker housing. This will help to separate any unpopped kernels from the popcorn.



5. Attach tilt door.



6. Place door on hinges.



POPPING INSTRUCTIONS

1. Be sure that the popcorn maker has been assembled properly before plugging in and popping.
2. Plug the main power cord into an electrical outlet.
3. Add 2 tablespoons (30 ml) of oil (vegetable, canola, corn, peanut or safflower oil) and ½ cup (125 ml) of corn kernels to the kettle; lower the lid.

Note: Use 2 scoops of the oil measuring spoon provided and 2 scoops of the kernel measuring cup provided.

4. Turn the power switch to the ON position.

Note: You do not need to allow the kettle to heat up beforehand.

5. After approximately 3 minutes, popcorn will start to pop up and out of the lid.
6. When the unit is finished popping – you will no longer hear the corn popping – immediately turn the power switch to the OFF position and press down on the kettle release tab located on the right of the housing to release the kettle. This will allow the excess popcorn to fall from the kettle.

7. Before scooping popcorn, return the kettle to the upright position by using the kettle handle.
CAUTION: KETTLE IS HOT.
8. Use the popcorn scoop to remove the popcorn from the unit.
9. After the popcorn has been removed from the unit, remove the screen of the kernel catcher at the bottom of the unit. Remove the tray and discard the unpopped kernels.
10. Remove plug from the power supply if the unit will not be used for additional batches.
11. Repeat steps 3 through 9 for additional batches.

CLEANING & MAINTENANCE

After using the popcorn maker, let it cool completely. Use a wet cloth to clean the housing and doors.

It is strongly recommended to clean the kettle frequently to avoid burning excess oil onto the bottom of the inner pot.

1. Turn the power switch to the OFF position.
2. Pour 4 to 6 ounces (115 to 170 g) of water (NO detergent is necessary) into the kettle.

3. Turn the power switch to the ON position to boil the water, allowing the stirrer to remove excess oil stuck on the surface.
4. After about 1 to 2 minutes of boiling, allow to cool, then pour water into a deep bowl and discard.

CAUTION: THE KETTLE IS HOT

You may also remove the kettle and clean it with a non-scratch scouring pad. Do not immerse kettle or electrical plug in water.

Any other servicing should be performed by an Authorized Service Representative.

WARRANTY

LIMITED THREE-YEAR WARRANTY

We warrant that this Cuisinart product will be free of defects in materials or workmanship under normal home use for 3 years from the date of original purchase. This warranty covers manufacturer's defects including mechanical and electrical defects. It does not cover damage from consumer abuse, unauthorized repairs or modifications, theft, misuse, or damage due to transportation or environmental conditions. Products with removed or altered identification numbers will not be covered.

This warranty is not available to retailers or other commercial purchasers or owners. If your Cuisinart product should prove to be defective within the warranty period, we will repair it or replace it if necessary. For warranty purposes, please register your product online at www.cuisinart.ca to facilitate verification of the date of original purchase and keep your original receipt for the duration of the limited warranty. This warranty excludes damage caused by accident, misuse or abuse, including damage caused by overheating, and it does not apply to scratches, stains, discolouration or other damage to external or internal surfaces that does not impair the functional utility of the product. This warranty also expressly excludes all incidental or consequential damages.

Your Cuisinart product has been manufactured to the strictest specifications and has been designed for use only in 120 volt outlets and only with authorized accessories and replacement parts. This warranty expressly excludes any defects or damages caused by attempted use of this unit with a converter, as well as use with accessories, replacement

parts or repair service other than those authorized by Cuisinart.

If the appliance should become defective within the warranty period, do not return the appliance to the store. Please contact our Customer Service Centre:

Toll-free phone number:
1-800-472-7606

Address:
Cuisinart Canada
100 Conair Parkway
Woodbridge, Ont. L4H 0L2

Email:
consumer_Canada@conair.com

Model:
CPM-28C

To facilitate the speed and accuracy of your return, please enclose:

- \$10.00 for shipping and handling of the product (cheque or money order)
- Return address and phone number
- Description of the product defect
- Product date code*/copy of original proof of purchase
- Any other information pertinent to the product's return

* Product date code can be found on the underside of the base of the product. The product date code is a 4 or 5 digit number. Example, 90630 would designate year, month & day (2009, June 30th).

Note: We recommend you use a traceable, insured delivery service for added protection. Cuisinart will not be held responsible for in-transit damage or for packages that are not delivered to us.

To order replacement parts or accessories, call our Customer Service Centre at 1-800-472-7606. For more information, please visit our website at www.cuisinart.ca.

Cuisinart®



Coffeemakers



Blenders



Juicers



Cookware



Tools and
Gadgets

Cuisinart™ offers an extensive assortment of top quality products to make life in the kitchen easier than ever. Try some of our other countertop appliances and cookware, and Savor the Good Life®.

www.cuisinart.ca

©2014 Cuisinart Canada
100 Conair Parkway,
Woodbridge, Ontario L4H 0L2

Printed in China

14CC146528

Trademarks or service marks of third parties referred to herein are the trademarks or service marks of their respective owners.

IB-13/433